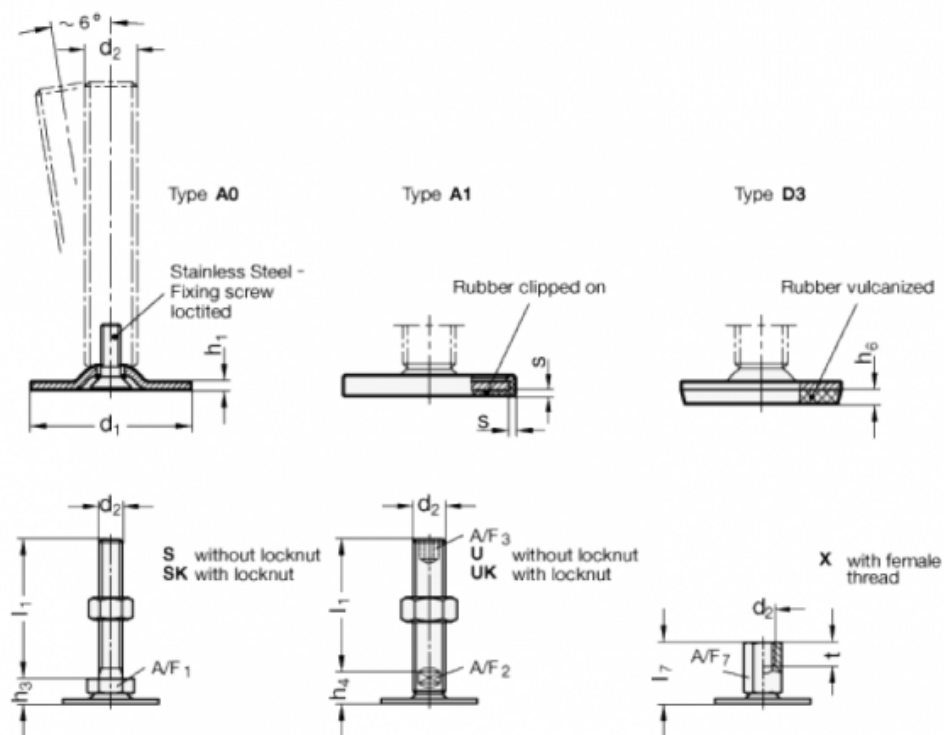


Article number: 204050M1637A1X

Description: E+G levelling foot  
GN 40-50-M16-37-A1-X

Note: X With female thread, External hexagon

## Measures



A/F7	=	22
d1	=	50
d2	=	M16
h1	=	2.5
h6	=	
l7	=	37
s	=	2
t	=	16